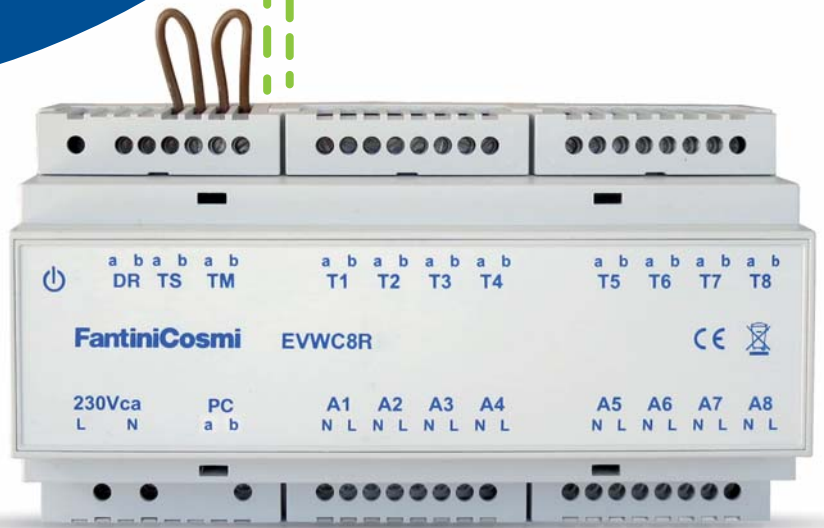


# Fan



CH110R Thermostat without batteries

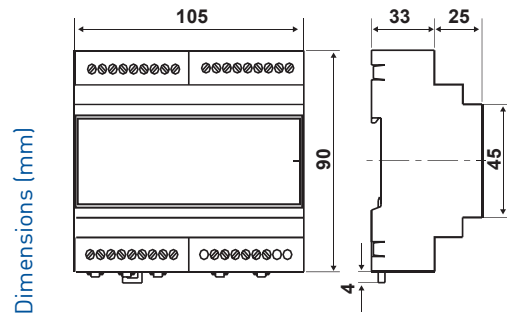


EVWC8R Wiring center

## Wiring center 4-8 channels

Linkage with only 2 wires! ON/OFF thermostat powered directly by wiring center

# Wiring center suitable for 4 channels



CODE	Power supply	Max. load	Auxiliary relay pump	Operating admissible temperature	Consumption	Protection degree
EVWC4	230V 50Hz	3A	8(5)A	0 ÷ 45 °C	2,5 VA	IP20
EVWC4L	230V 50Hz	3A	-	0 ÷ 45 °C	1,5 VA	IP20

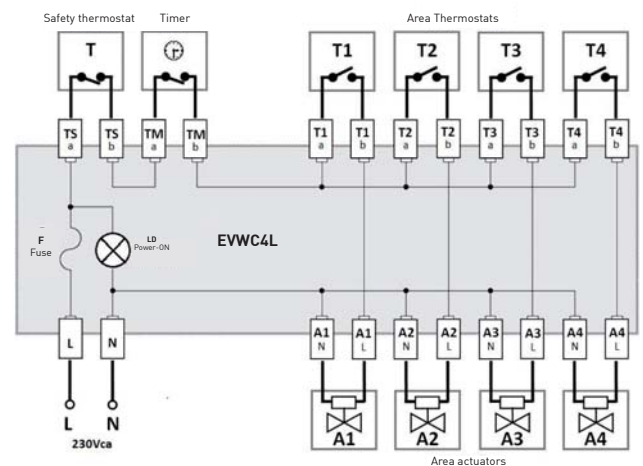
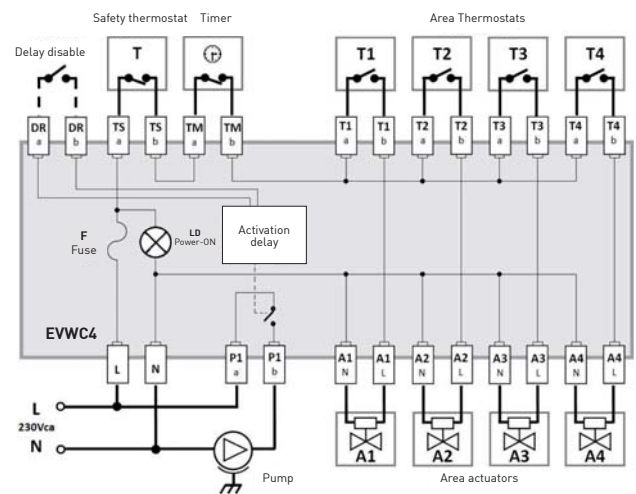
## FEAUTURES

- 4 inputs for conventional room thermostats (ON/OFF type with free voltage output contact);
- 1 input for safety thermostat;
- 1 input for timer;
- Power on indicator;
- Fuse protection (3,15A/T);
- 4 outputs for thermal actuators (the contact rating is depending on the room thermostat);
- DIN-rail mounting (4 modules);
- Storage and transport temperature: -10°÷50°C.

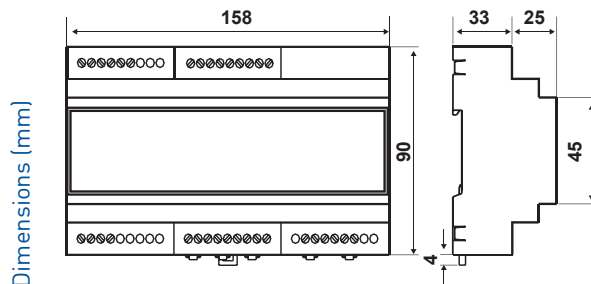
## EVWC4 ADDITIONAL FEATURES

- Auxiliary control pump, with selectable instantaneous or delayed (4 minutes) activation;
- Voltage free contact output for auxiliary pump.

## WIRING DIAGRAM



# Wiring center suitable for 8 channels



CODE	Power supply	Max. load	Contacts rating	Auxiliary relay pump	Operating admissible temperature	Consumption	Protection degree
EVWC8	230V 50Hz	3A	-	8(5)A	0 ÷ 45 °C	2,5 VA	IP20
EVWC8L	230V 50Hz	3A	-	-	0 ÷ 45 °C	1,5 VA	IP20
EVWC8P	230V 50Hz	-	5(3)A	8(5)A	0 ÷ 45 °C	5 VA	IP20
EVWC8R	230V 50Hz	-	5(3)A	8(5)A	0 ÷ 45 °C	5 VA	IP20

## FEAUTURES

- 8 inputs for conventional room thermostats (ON/OFF type with free voltage output contact);
- 1 input for safety thermostat;
- 1 input for timer;
- Power on indicator;
- Fuse protection (3,15A/T);
- 8 output for thermal actuators (the contact rating is depending on the room thermostat);
- DIN-rail mounting (6 modules);
- Storage and transport temperature: -10°÷50°C.

### EVWC8 ADDITIONAL FEATURES

- Auxiliary control pump, with selectable instantaneous or delayed (4 minutes) activation;
- Voltage free contact output for auxiliary pump.

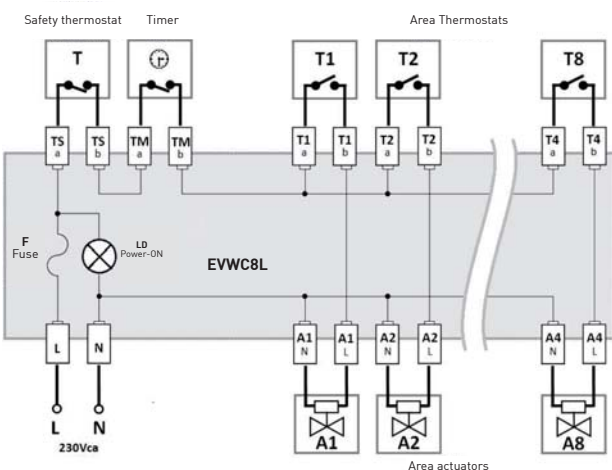
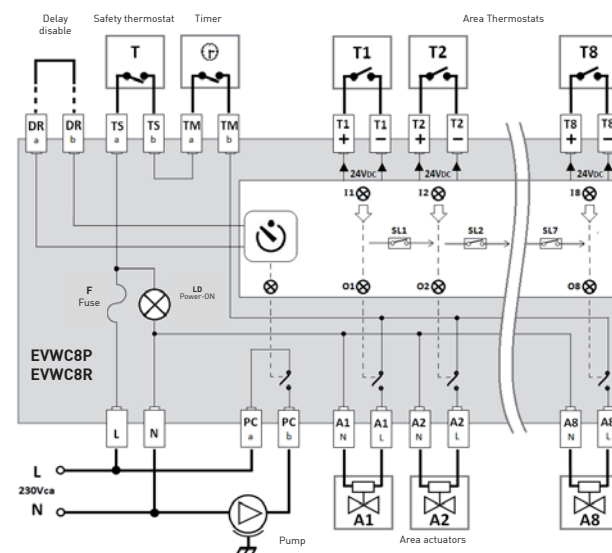
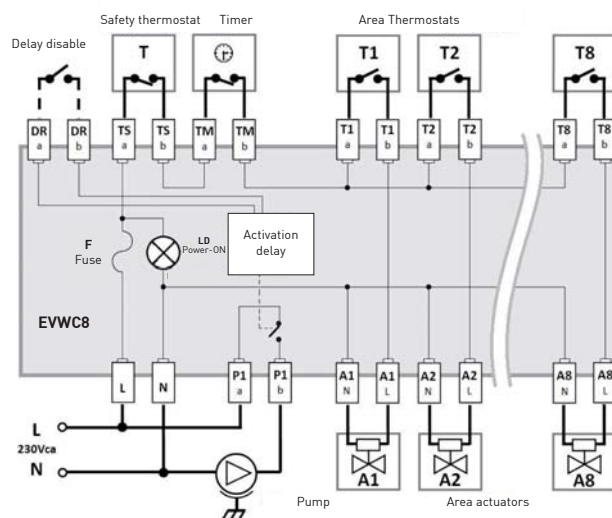
### EVWC8R ADDITIONAL FEATURES

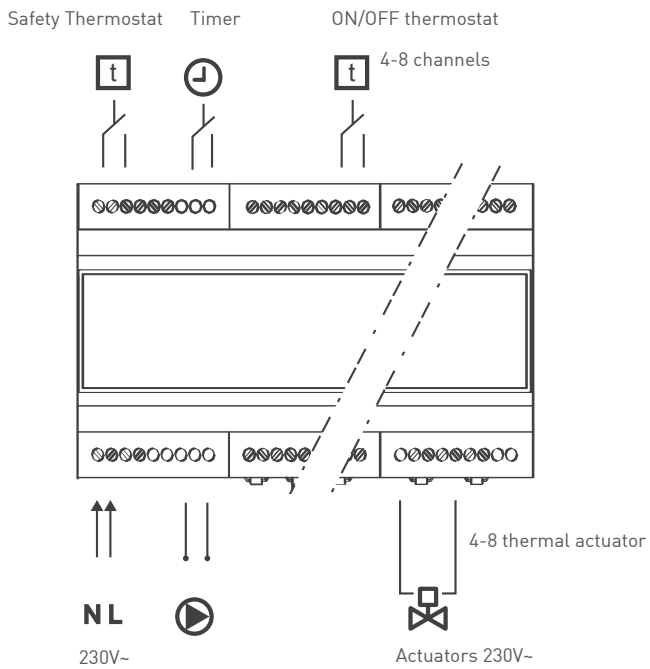
- 8 inputs for both conventional room thermostats or for Fantini Cosmi CH110R model powered directly by the output line;
- 8 outputs relay for thermal actuators.

### EVWC8P ADDITIONAL FEATURES

- Selectors for driving more outputs with the same input (combination with programmable input - output);
- Selector for define all outputs in NO or NC mode;
- Inputs and outputs status indicated by LEDs.
- Auxiliary pump output status indicated by LED.

## WIRING DIAGRAM





### Suitable on/off thermostats and chronothermostats

CH150	chronothermostat with batteries
CH110	thermostat with batteries
CH110R	auto-powered thermostat
C16	electromechanical thermostat



### Suitable safety thermostats

C01A	contact thermostat
C03A3S	immersion thermostat



### Suitable timer

CH150	chronothermostat with batteries
CH140GSM	GSM chronothermostat
W04C	digital timer



### Suitable ACTUATORS

O41NCMAUX	thermal actuator
-----------	------------------

